

# HS-1200WT

SPEAKER SYSTEM

One of the most difficult speaker requirements to satisfy is a cost-effective mid-size speaker system that offers high quality sound no matter what the application. TOA HS-Series speakers are equipped with narrow-directivity control (90° horizontal × 40° vertical). This useful feature allows tailoring the speaker's dispersion characteristics to better suit the acoustic environment in which it is installed. The versatile HS-Series is compatible for use with 100V/70V lines for distributed applications. The HS-Series speakers are exceptional in offering useful features at an attractive price.



Article number:HS-1200WT  
 Alternative products: HS-1200BT, HS-120B,  
 HS-120W, HS-1500BT, HS-1500WT,  
 HS-150B, HS-150W

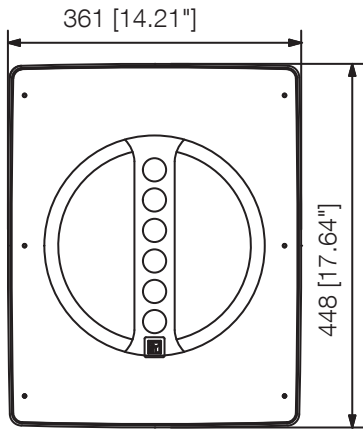
## Specifications

Dimensions (W x H x D)	361 x 448 x 320 mm
Dimensions (ø x D)	x 320 mm
Finish	Polypropylene resin, off-white (RAL 9010 or equivalent),
Operating temperature	-10 °C to +50 °C

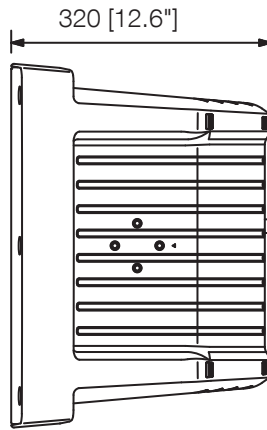
# HS-1200WT

SPEAKER SYSTEM

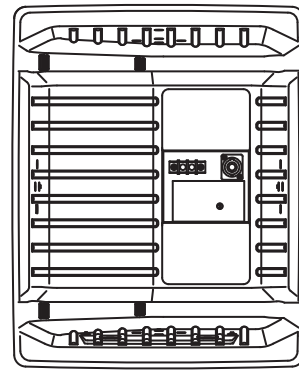
Appearance



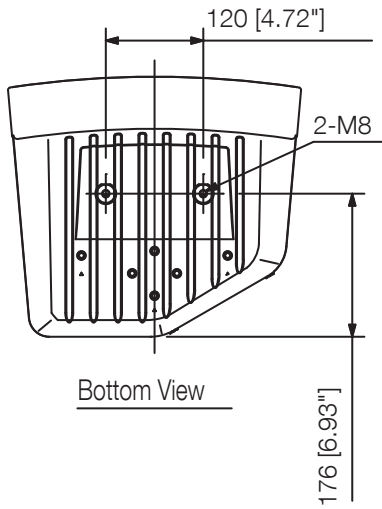
Front View



Side View



Rear View



Bottom View

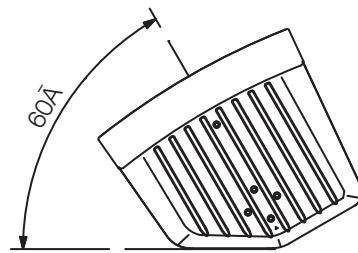
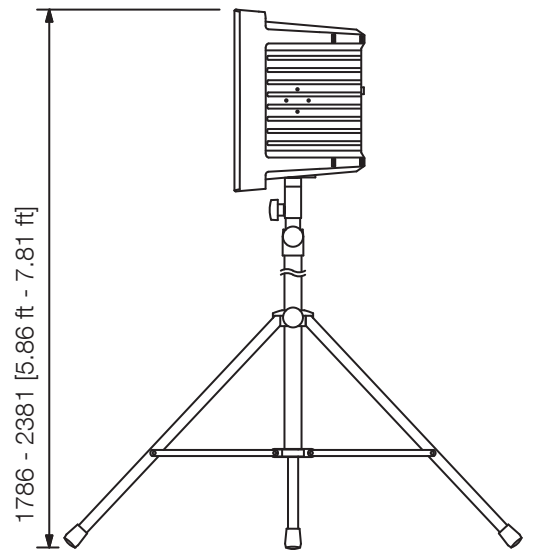
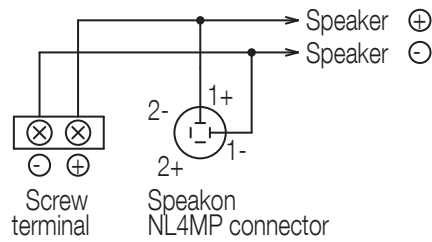


Figure of the unit installed  
(scale: 1/15)



ST-34B (option) mounting  
(scale: 1/20)

UNIT:mm SCALE:1/10